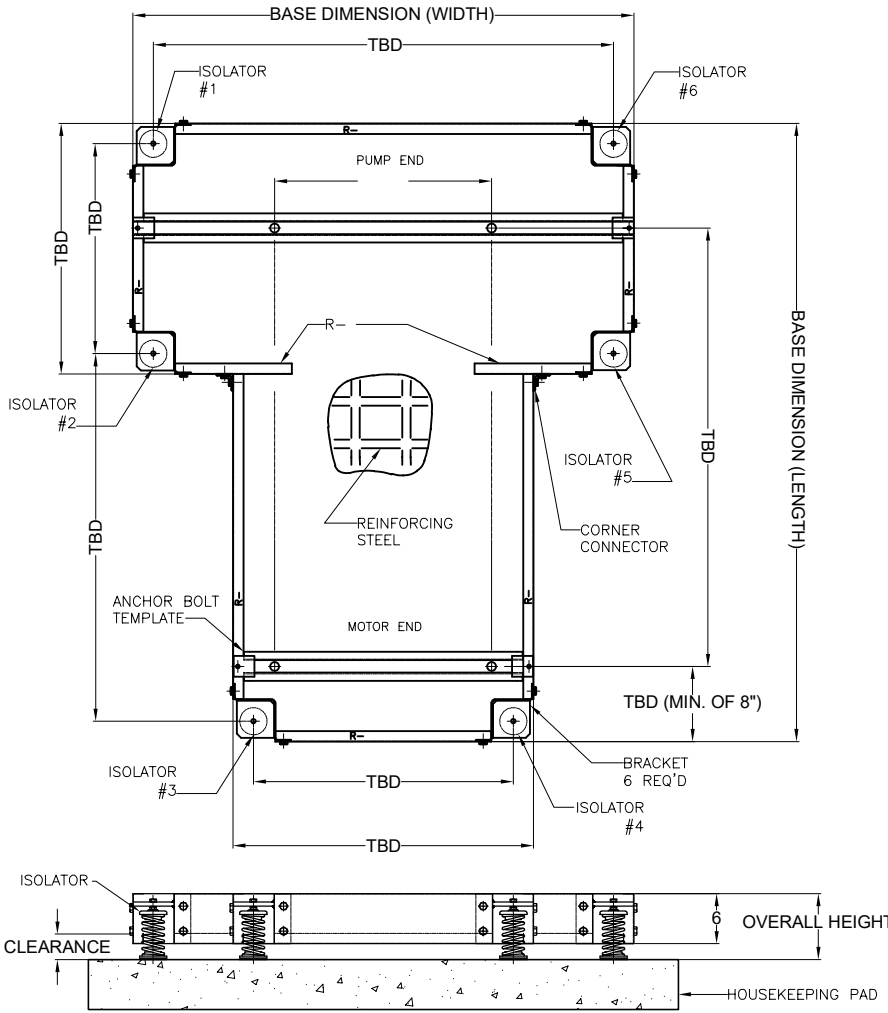


REV.	DESCRIPTION	DATE	BY



ISOLATORS				
LOCATION	ISOLATOR TYPE	COLOR CODE	RATED LOAD (lbs.)	RATED DEFL (in.)
1				
2				
3				
4				
5				
6				

EQUIPMENT / MODEL:

CUST REF DWG:

MOTOR

FRAME SIZE:	HP	RPM	WT.
-------------	----	-----	-----

PUMP

SUCTION	DISCHARGE	WT.
		CONCRETE WT.
		TOTAL ISOLATED WT.

TOTAL ESTIMATED SHIPPING WEIGHT:

TAG No. _____

QTY. REQ'D. _____

NOTES:

1. RATED DEFLECTIONS ARE WITHIN 25% OF NOMINAL. HIGHER DEFLECTIONS ARE ALLOWED IF THEY MEET SPECIFICATIONS.

OTHER MATERIALS, COMPOUNDS, OR FINISHES WITH EQUAL OR SUPERIOR PROPERTIES MAY BE SUBSTITUTED AS THEY BECOME AVAILABLE.

CERTIFIED FOR:

JOB NAME: _____

CUSTOMER: _____

CUSTOMER P.O.: _____

SALES ORDER: _____

**MODEL MPF 6 INCH NON SEISMIC
MODULAR POURING FORM INERTIA BASE
"T" SHAPE 2 INCH DEFLECTION**

VMC GROUP
THE POWER OF TOGETHER®
Bloomingdale, NJ 07403
Houston, TX 77041

SCALE:	NONE	
SHEET:	1 OF 1	
DRAWING NO.:		REVISION